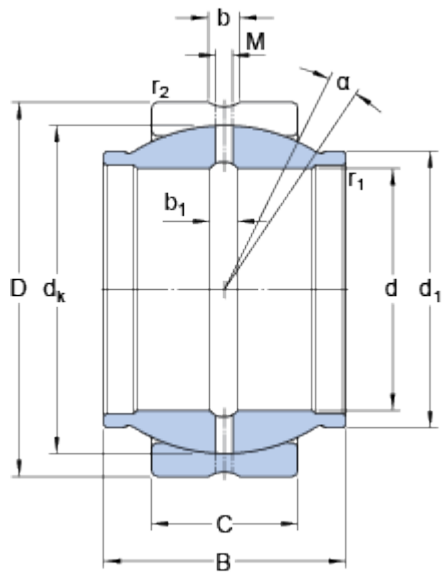


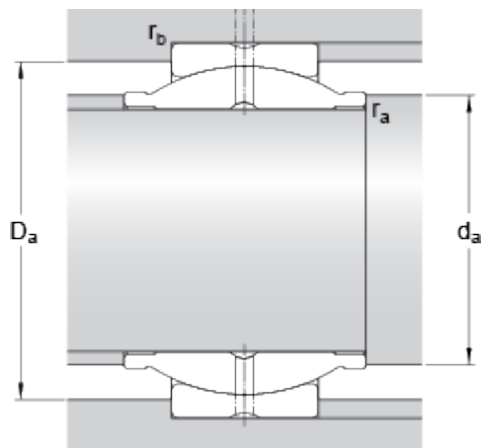
GEG 32 ES

Dimensions



d		32	mm
D		52	mm
B		32	mm
C		18	mm
α		4	°
d_k		43	mm
d_1	≈	38	mm
b		3.9	mm
b_1		3.9	mm
M		2.5	mm
r_1	min.	0.6	mm
r_2	min.	1	mm

Abutment dimensions



d_a	min.	36.3	mm
d_a	max.	38	mm
D_a	min.	40.9	mm
D_a	max.	48.1	mm
r_a	max.	0.6	mm
r_b	max.	1	mm

Calculation data

Basic dynamic load rating	C	65.5	kN
Basic static load rating	C_0	325	kN
Specific dynamic load factor	K	100	N/mm ²
Specific static load factor	K_0	500	N/mm ²
Material constant	K_M	330	

Mass

